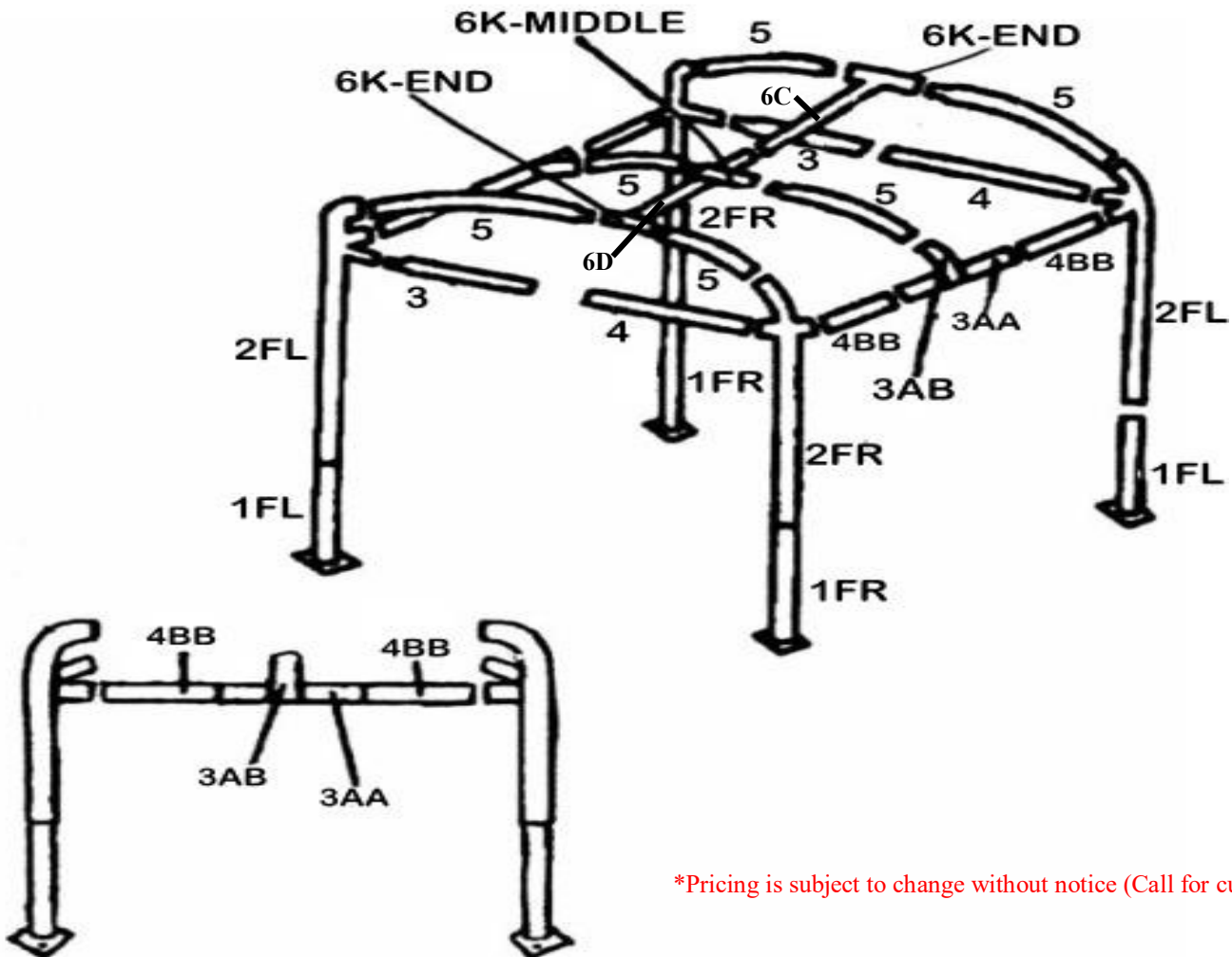


# 10' x 10' Finale® (As of 7/2004)

Part#	Description	Qty	Price Each*
1FR	Bottom Upright / Right	2	\$39.00
1FL	Bottom Upright / Left	2	\$39.00
2FR	Top Upright / Right	2	\$70.00
2FL	Top Upright / Left	2	\$70.00
3	Eave Member LARGE	2	\$34.00
3AA	Eave Member SMALL for NECK	2	\$32.00
4	Eave Member SMALL	2	\$32.00
4BB	Eave Member LARGE (Neck Side)	4	\$34.00
5	Rafter	6	\$32.00
6C	Center Ridge - Single	1	\$65.00
6D	Center Ridge - Double	1	\$74.00
6K-MIDDLE <sup>1</sup>	Middle Piece w/rivets & hole for rivets	1	\$20.00
6K-END <sup>1</sup>	End Piece w/rivets & hole for rivets	2	\$20.00

<sup>1</sup>These are REPLACEMENT parts only



\*Pricing is subject to change without notice (Call for current prices)